



# T O M I C S. A.

ŻUROMIN POLAND

Factory and Sales

**TOMIC** s.A.

ul. Żeromskiego 76/82

09-300 Żuromin POLAND

tel.: +48 23 657 31 61

fax.: +48 23 657 24 07

www.tomic.pl

## Thermal cut – out AR03, AR33



Thermal cut-out type AR offers proven reliability in a compact, cost-effective design. The snap action of the bimetal disc provides excellent contact separation at electrical load 16 A.

**DIN EN ISO 9001:2008**

VDE Testing and Certification Institute

QUALITY & EXPERIENCE SINCE 1979



### Standard Specifications

- Contact configuration: normally closed
- Rated current: 16A
- Range of rated switching temperatures: 60°C - 180°C
- Switching differential:  $30 \pm 15$  K / manual reset
- Switching temperature tolerance:  $\pm 5$ K /  $\pm 10$ K

### Sample Applications

- Boilers
- Ovens
- Heaters
- Washing machines
- Dryers
- Steam cleaners

### Features

- Available in automatic and manual reset
- Available in various mounting configuration

Marketing & Sales In Western Europe

**ALBOL**

Albol Electronic & Mechanical Products Ltd.  
159 Ravenscroft Road; Beckenham  
Kent BR3 4TN England (UK)  
tel: 0044 208 776 5280/89  
fax: 0044 208 659 7501  
e-mail: albol@btconnect.com  
www.albol.co.uk

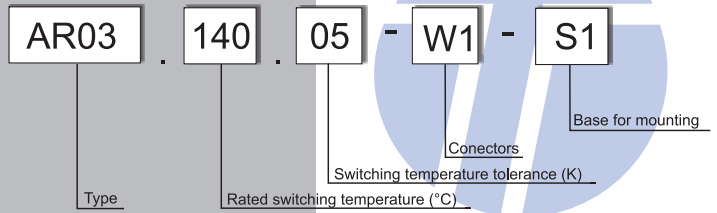


# Thermal cut – out AR03, AR33

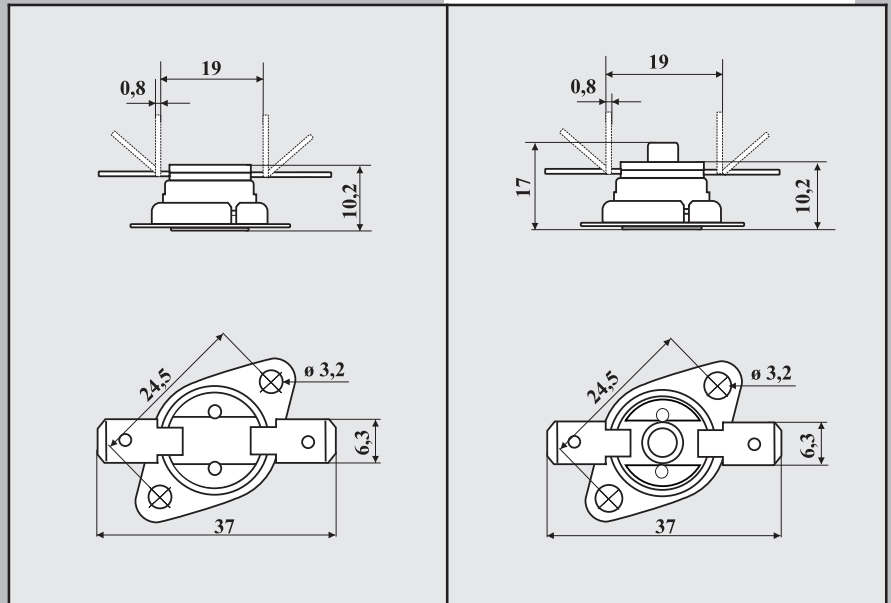
## Marking



## Ordering example



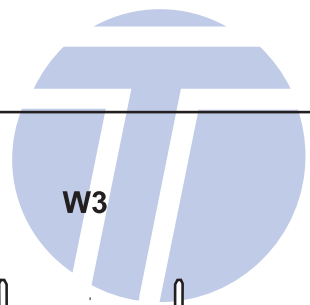
## Electrical scheme



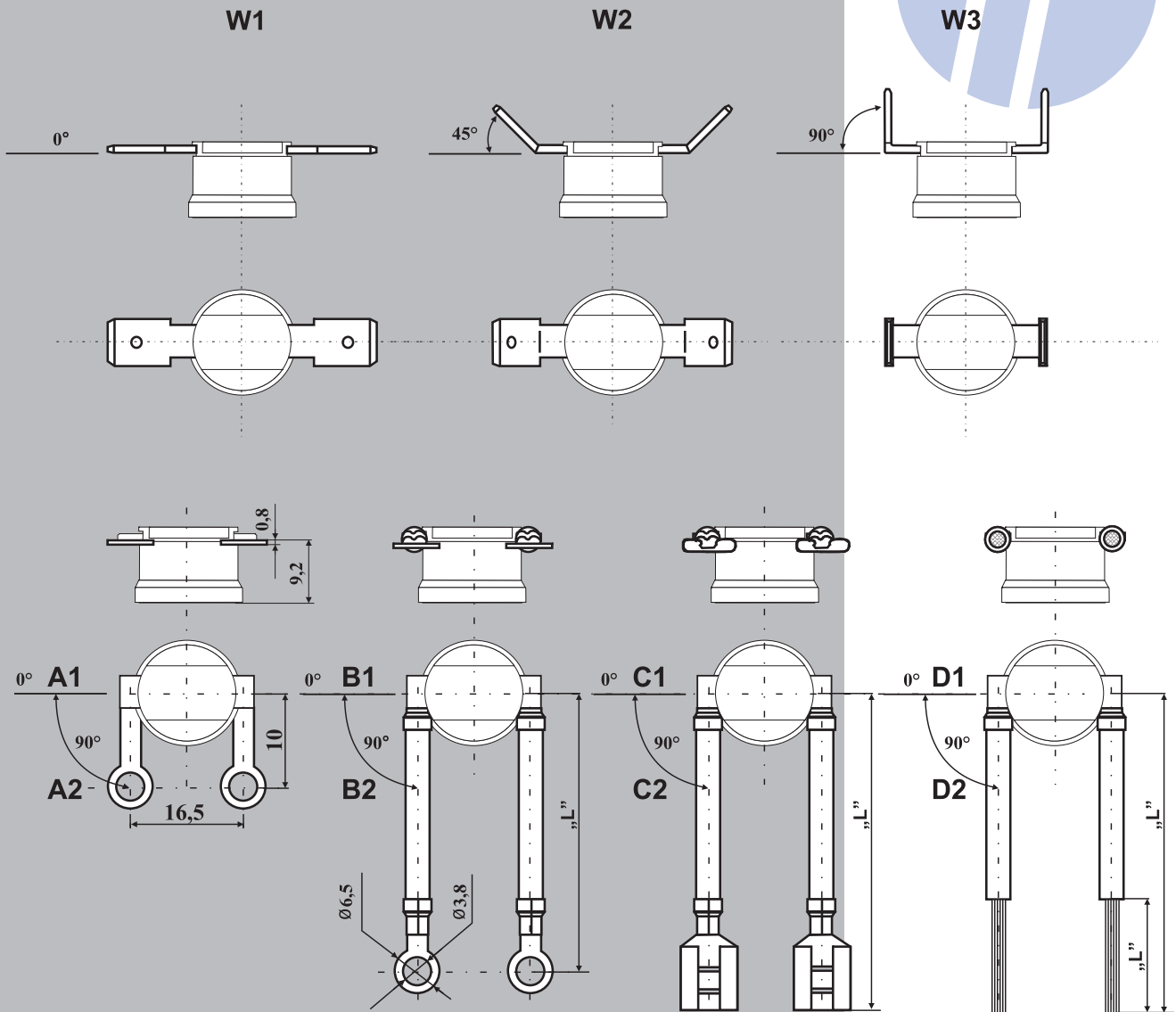
Type of thermal cut-out	AR03	AR33
Contact	SPST, normally closed	
Rated voltage	250V; AC	
Rated current of resistance loading $I_{zn}, \cos\phi = 1,0$ of resistance and induction loading $I_x, \cos\phi = 0,6$	16 A 6 A	
Number of switching cycles at rating loading	3 000 cycles	
Range of rated switching temperatures	50°C - 180°C	
Switching temperature tolerance (standard)	±5K / ±10K	
Switching differential	30 ± 15 K	manual reset
Speed of temperature changes	0,5 ÷ 1K / min	
Thermal resistance	max 210°C / 1min	
Degree of protection	IP 00	
Degree of pollution (acc. to EN-60730-1)	2	
PTI of material used for insulation	250 V	
Rated impulse voltage	2500 V; 50 Hz	
Contact resistance	max 20 mΩ	
Construction	for incorporation in class I equipment	

# Thermal cut – out AR03, AR33

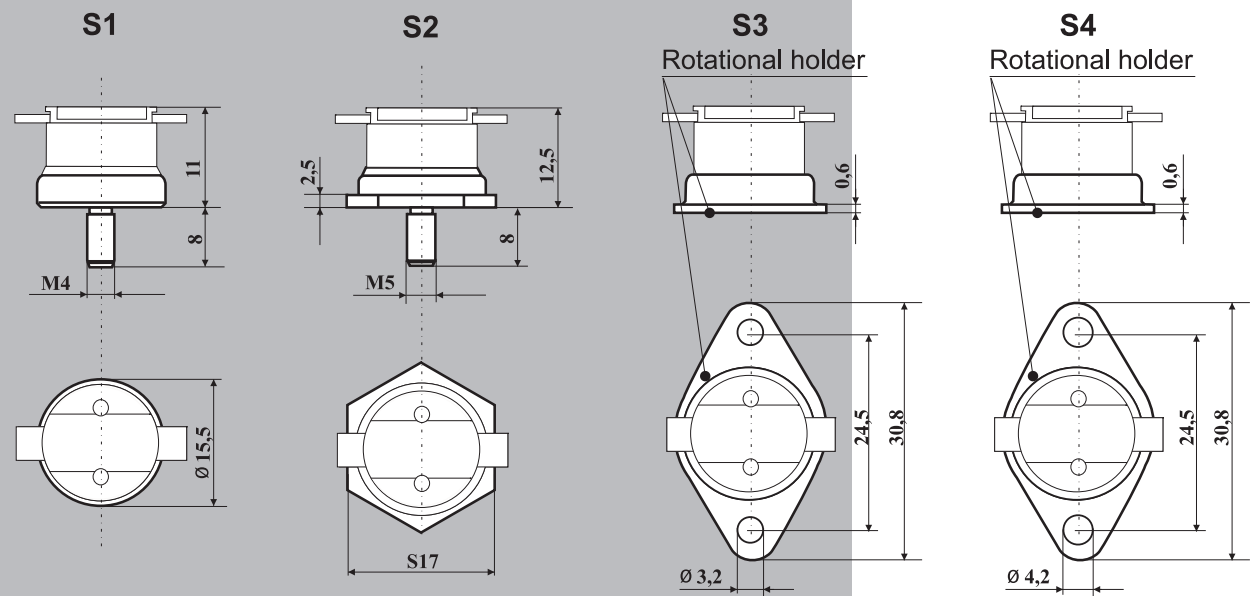
Options:



Connectors:



Base:





**TOMIC s.A.**  
ul.Żeromskiego 76/82  
09-300 Żuromin POLAND  
tel.:+48 23 657 31 61  
fax.:+48 23 657 24 07  
[www.tomic.pl](http://www.tomic.pl)